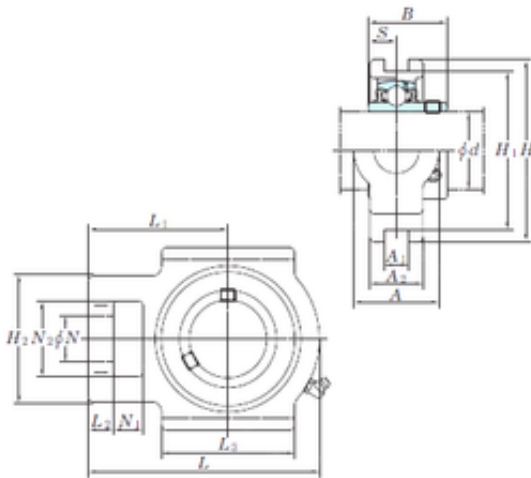


TGHN Titanhorse ???????????...



UCTX07 Bearing 2D drawings and 3D CAD models

KOYO UCTX07

Bearing No. UCTX07

Bore Diameter	35 mm
d	35 mm
L2	15 mm
L3	83 mm
A	49 mm
A1	16 mm
B	49,2 mm
H	114 mm
H1	102 mm
H2	83 mm
L	144 mm
L1	88 mm
N	29 mm
N1	19 mm
S	19 mm
A2	36 mm
N2	49 mm
Weight	2,7 Kg
Basic dynamic load rating (C)	29,1 kN
Basic static load rating (C0)	17,8 kN