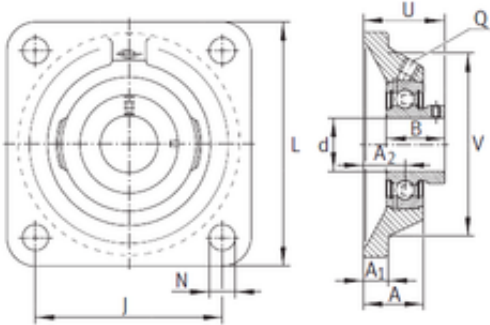


## INA PCJY40-N



PCJY40-N Bearing 2D drawings and 3D CAD models

Bearing No. PCJY40-N

Bore Diameter	40 mm
d	40 mm
V	110 mm
U	52,95 mm
Thread (Q)	Rp1/8
A	34,5 mm
A1	13 mm
B	39,45 mm
J	101,5 mm
L	130 mm
N	14 mm
A2	24 mm
Weight	1,81 Kg
Basic dynamic load rating (C)	32,5 kN
Category	Flange Block Bearings
Inventory	0.0
Manufacturer Name	SCHAEFFLER GROUP
Minimum Buy Quantity	N/A
Weight / Kilogram	2.2
EAN	4012802064582
Product Group	M06110
Number of Mounting Holes	4
Mounting Method	Set Screw
Housing Style	4 Bolt Square Flange Block
Rolling Element	Ball Bearing



## TGHN Titanhorse ???????????...

Housing Material	Cast Iron
Expansion / Non-expansion	Non-expansion
Mounting Bolts	14 Millimeter
Relubricatable	Yes
Insert Part Number	GAY40NPPB
Seals	Double Lip Contact
Housing Configuration	1 Piece Solid
Pilot Configuration	No Pilot
Inch - Metric	Metric
Long Description	4 Bolt Square Flange Block; 40MM Bore; 144MM Bolt Circle; 101.5MM Bolt Spacing; 1 Piece Solid; Set Screw Mount; Cast Iron; Ball Bearing; 39.5MM Length Thru Bore; Relubricatable; Double Lip Contact Sea
Other Features	Single Row   Radial   Metric   With Grub Screw
Category	Flange Block
UNSPSC	31171501
Harmonized Tariff Code	8483.20.40.40
Noun	Bearing
Keyword String	Flanged
Manufacturer URL	<a href="http://www.ina.com">http://www.ina.com</a>
Manufacturer Item Number	PCJY40
Weight / LBS	4.851
Cartridge Pilot Diameter	0 Inch   0 Millimeter
Nominal Bolt Circle Diameter Round	5.7 Inch   144 Millimeter
Length Thru Bore	1.555 Inch   39.5 Millimeter
Bore	1.575 Inch   40 Millimeter
Bolt Spacing	3.996 Inch   101.5 Millimeter