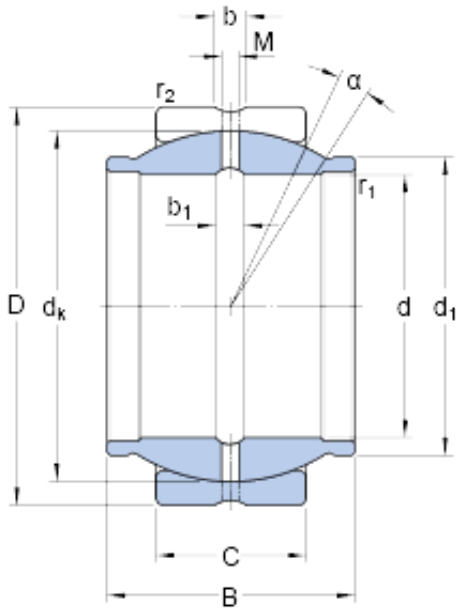


TGHN Titanhorse ???????????...



GEZM 014 ES Bearing 2D drawings and 3D CAD models

22.225 mm x 36.513 mm x 33.325 mm SKF
GEZM 014 ES

Bearing No. GEZM 014 ES

Size	36.513x22.225x33.325 mm
Bore Diameter	36,513 mm
Outer Diameter	22,225 mm
Width	33,325 mm
d	22.225 mm
D	36.513 mm
B	33.325 mm
C	16.662 mm
	9 °
dk	31.953 mm
d ₁	27.178 mm
b	3.2 mm
b ₁	3 mm
M	2.5 mm
r ₁ - min.	0.6 mm
r ₂ - min.	1 mm
d _a - min.	24.9 mm
d _a - max.	27.2 mm
D _a - min.	30.4 mm
D _a - max.	33 mm
r _a - max.	0.6 mm
r _b - max.	1 mm
Basic dynamic load rating - C	42.5 kN



TGHN Titanhorse ???????????...

Basic static load rating - C_0	127 kN
Specific factor dynamic load - K	100 N/mm ²
Specific factor static load - K_0	300 N/mm ²
Constant - K_M	330
Lubricant	Regular relubrication – grease
Design (sliding contact surface combination)	Steel/steel
Sealing solution	-
	9 °
d_k	31.953 mm
d_1	27.178 mm
b_1	3 mm
r_1 min.	0.6 mm
r_2 min.	1 mm
d_a min.	24.9 mm
d_a max.	27.2 mm
D_a min.	30.4 mm
D_a max.	33 mm
r_a max.	0.6 mm
r_b max.	1 mm
Basic dynamic load rating C	42.5 kN
Basic static load rating C_0	127 kN
Specific dynamic load factor K	100 N/mm ²
Specific static load factor K_0	300 N/mm ²
Material constant K_M	330
Mass plain bearing	0.11 kg